

- Approved
- Approved As Noted
- Revised & Resubmit
- Information

Floor Details:
Ground Floor

Title:
Elegance Boxup Series 

Note: -
Total No.s Of Cubicles- 03

Sr	Accessories	Material
1.	Panel	12 mm Thick
2.	Divider	12 mm Thick
3.	Profiles	Alu. Black Coated
4.	Coat Hook	Nylon Polyamide
5.	Hinges	Nylon Polyamide
6.	Door Knob	Nylon Polyamide
7.	Indicator Lock	Nylon Polyamide
8.	Shoebox	Alu.Black Coated

Laminate:

Client:

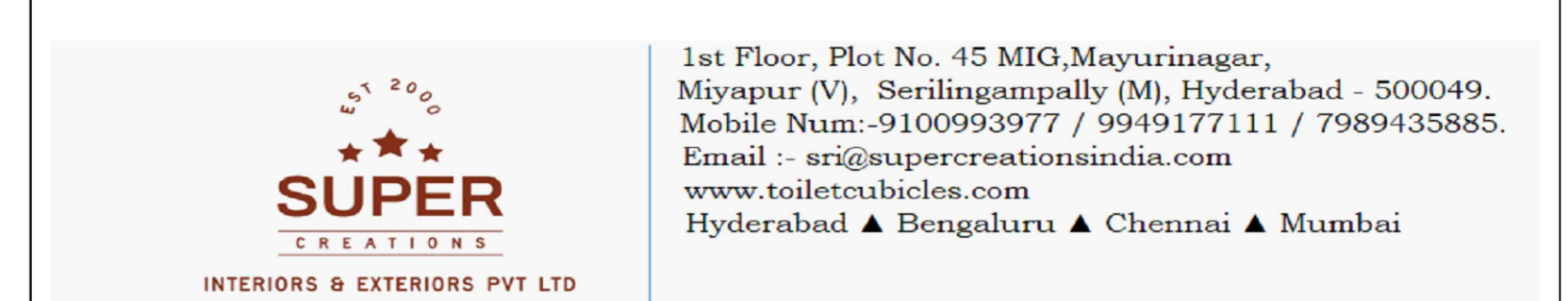
Project:

	NAME	SIGN
VISIT	Mr.DARANI	
DRAWN	Mr.NAGESH	
CHKD	Mr.N.RAO	

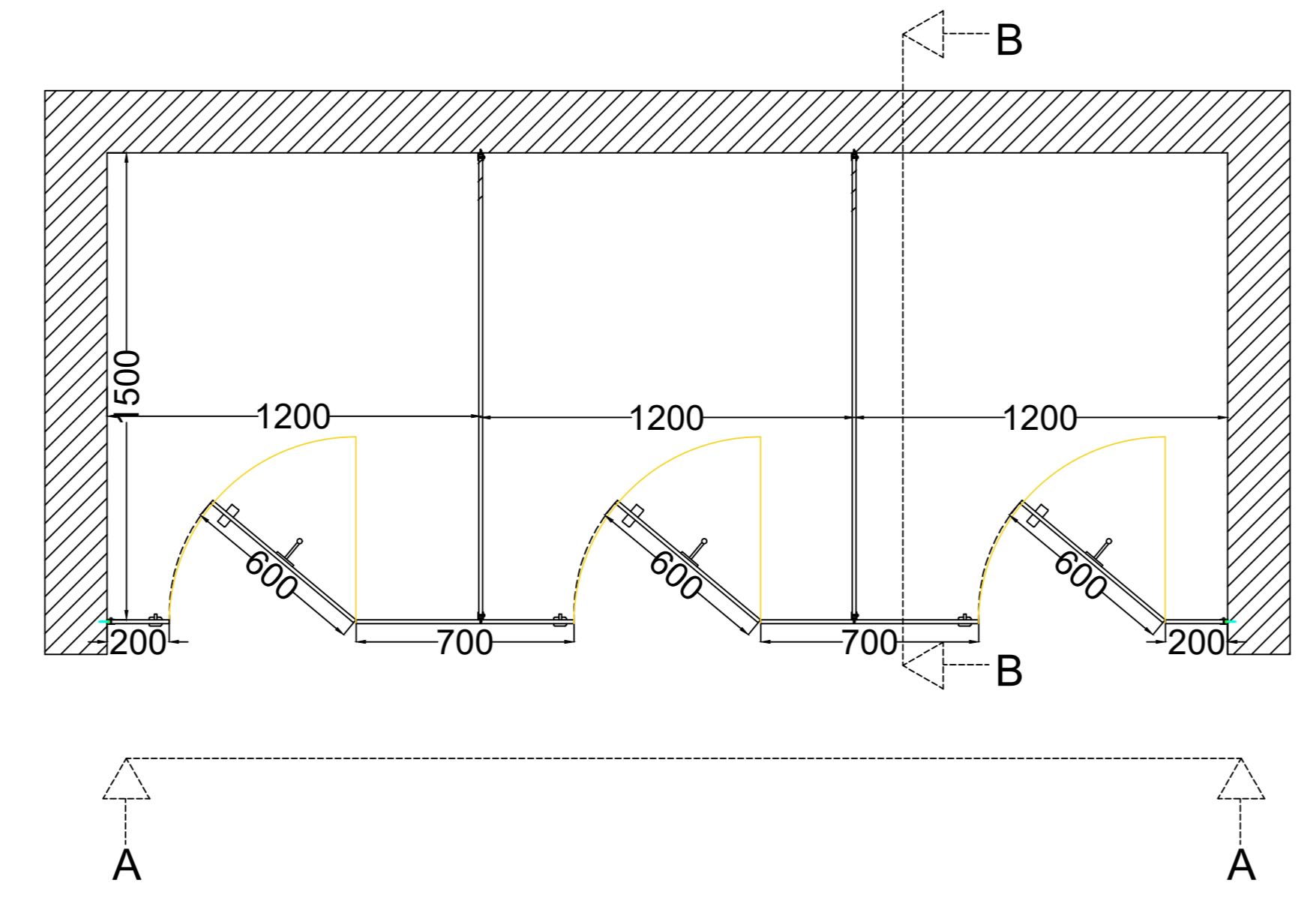
Released for approval of

- Shop Drawing
- Construction
- As Built

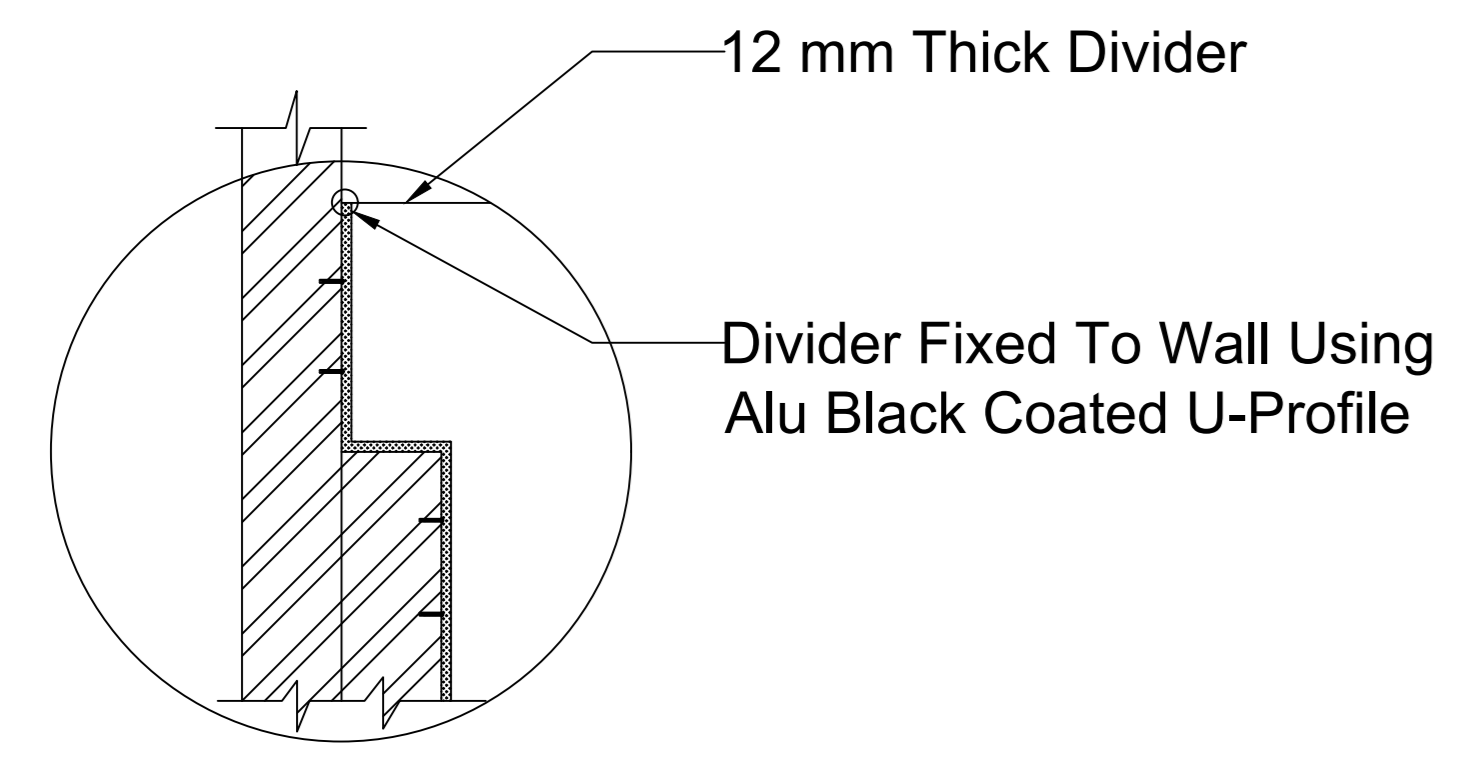
Super Creations Interiors & Exteriors Pvt Ltd



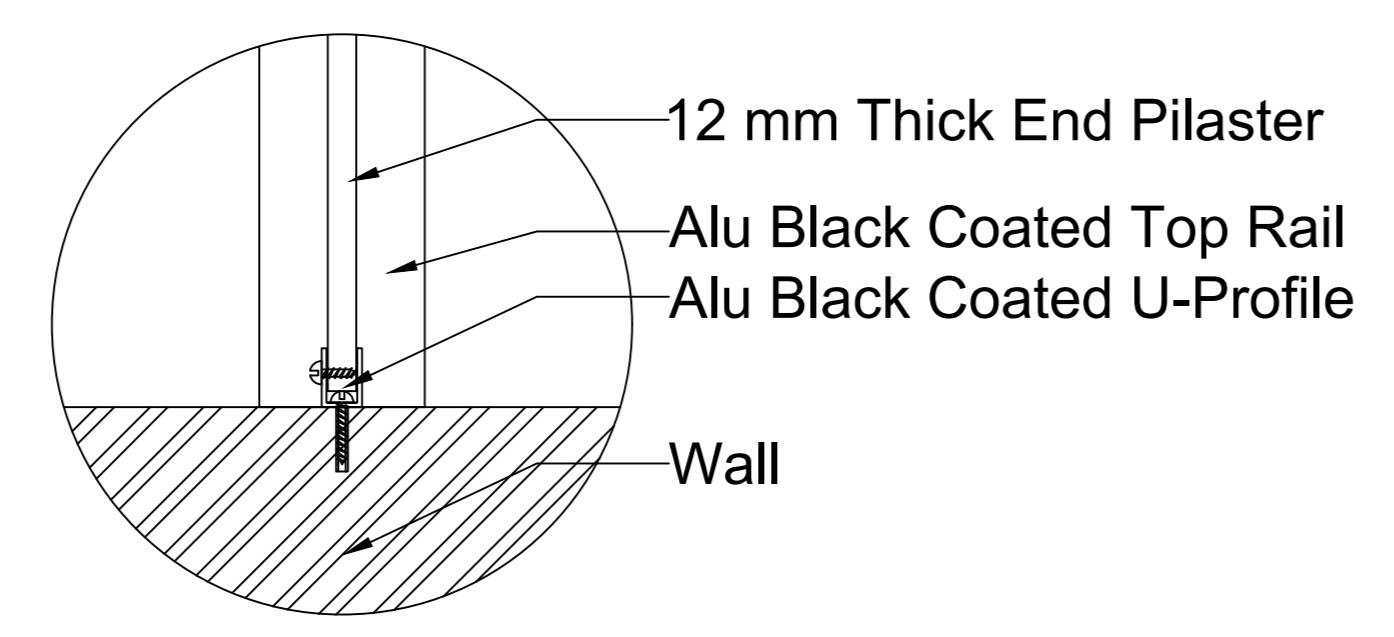
This is the sole property of Super Creations Interiors & Exteriors Pvt Ltd. it should not copied & changed without written approval



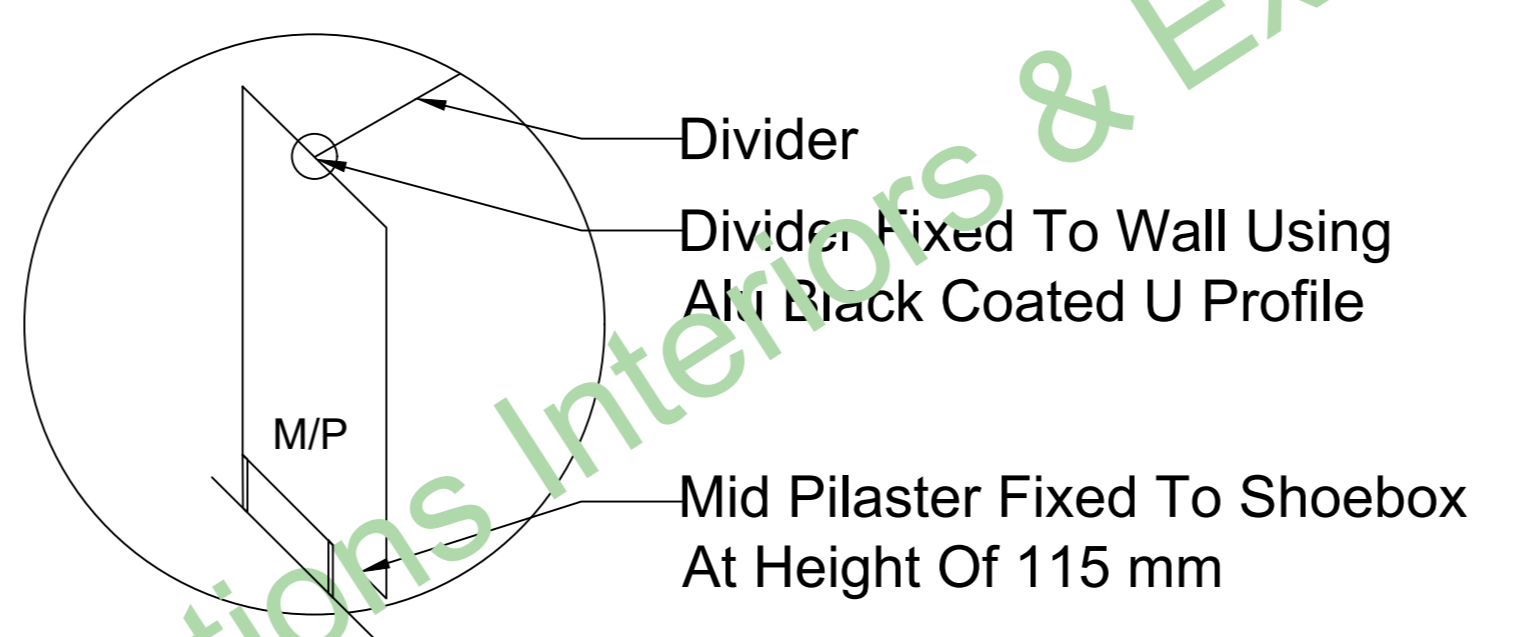
PLAN



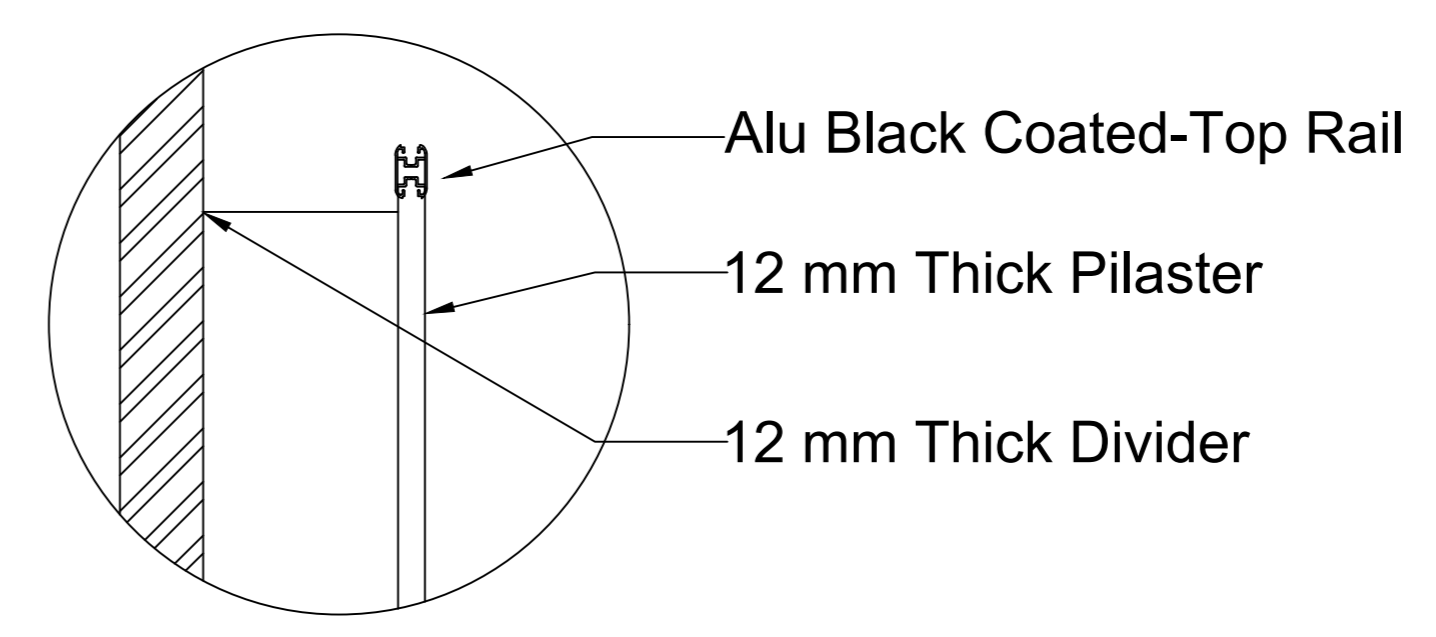
Blown up details at wall and divider Location



Blown up details at wall and divider Location

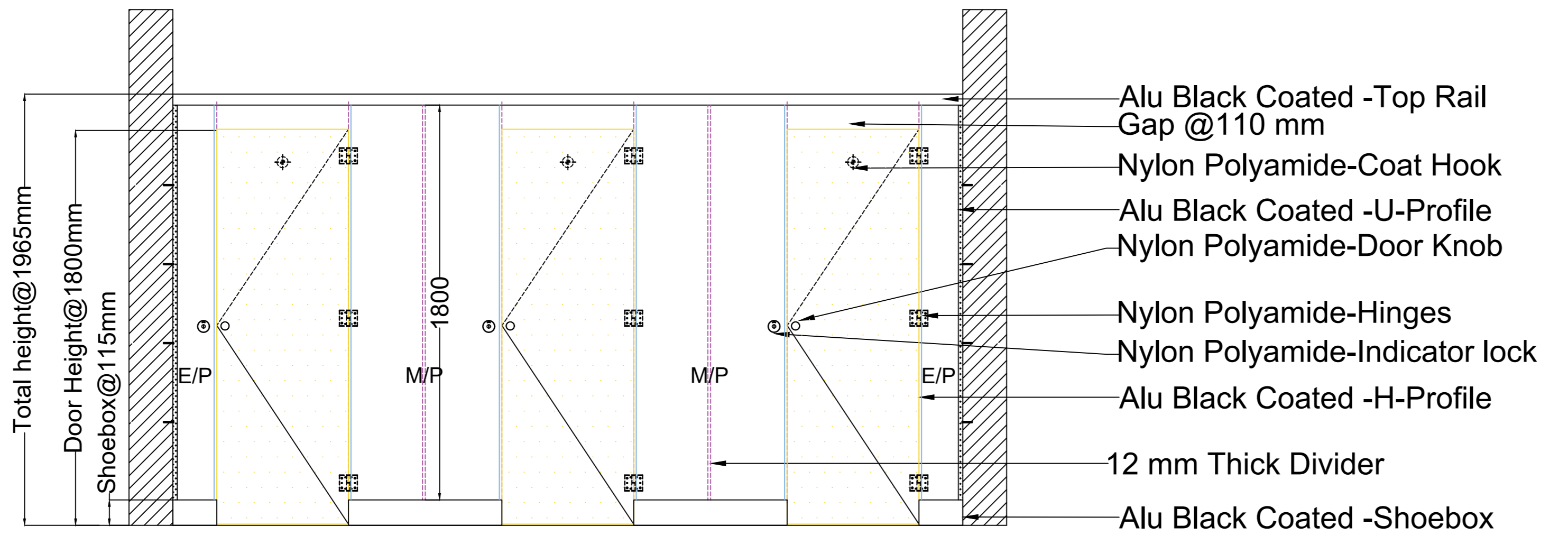


Blown up details at leg & pilaster

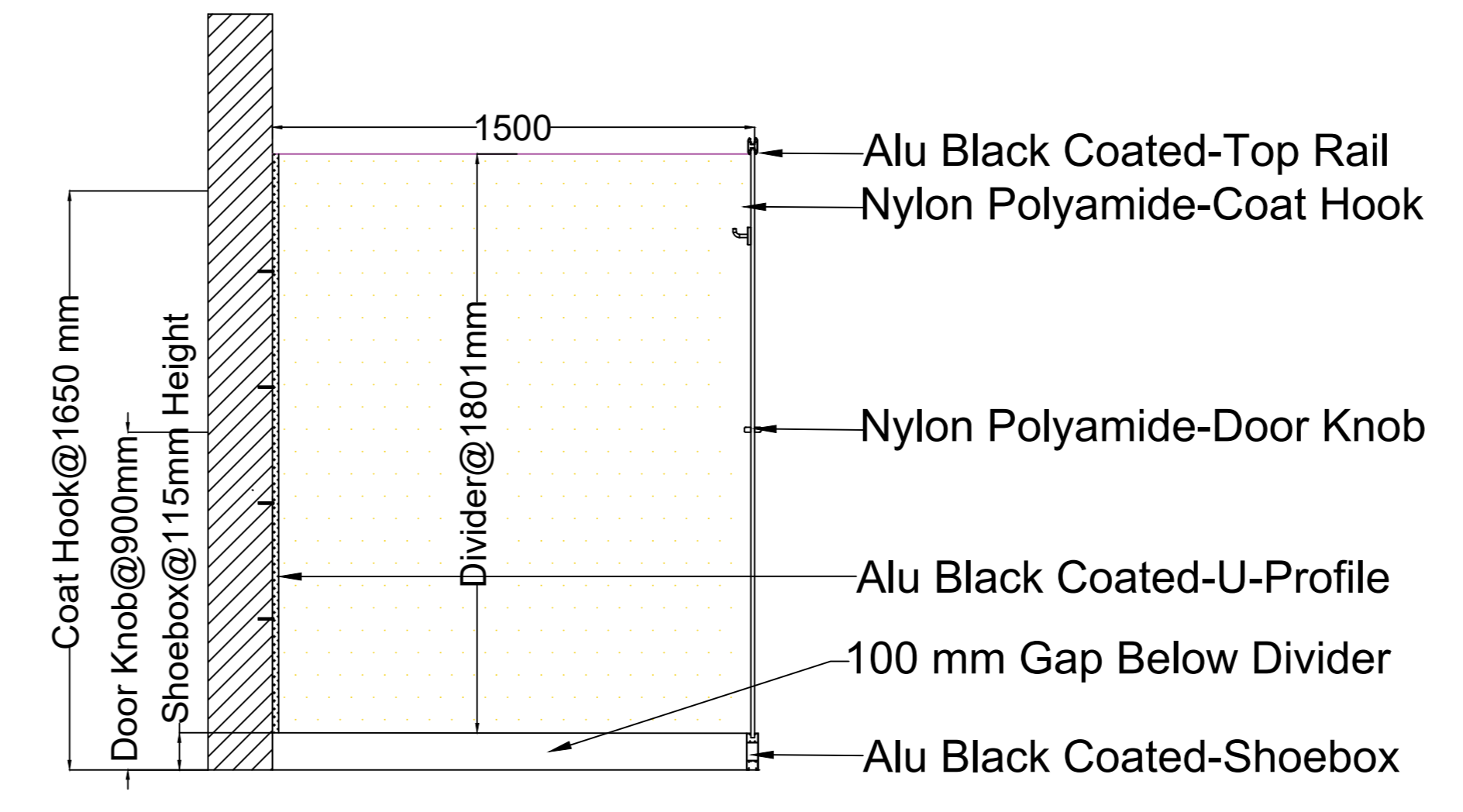


Blown up details at top rail with end, mid pilaster

BLOWN UP DETAILS



ELEVATION-AA



SECTION-BB

Note:- this drawing is intended only for the recipient not for the circulation