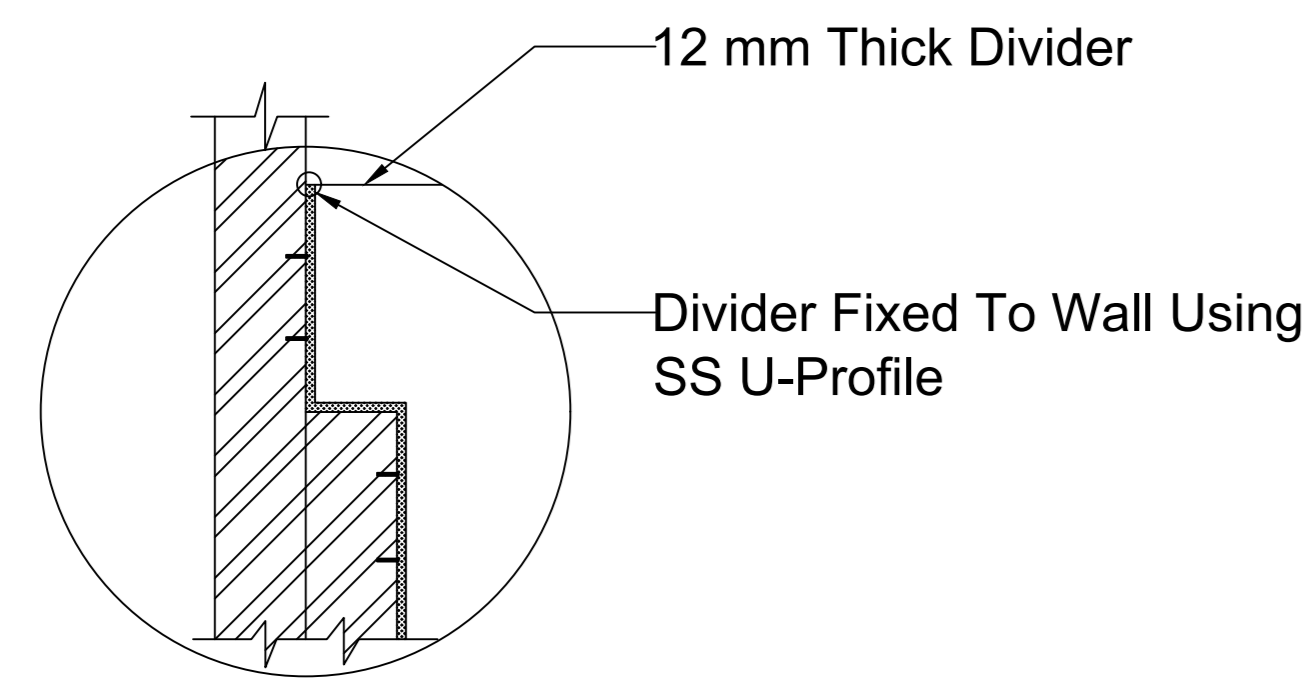
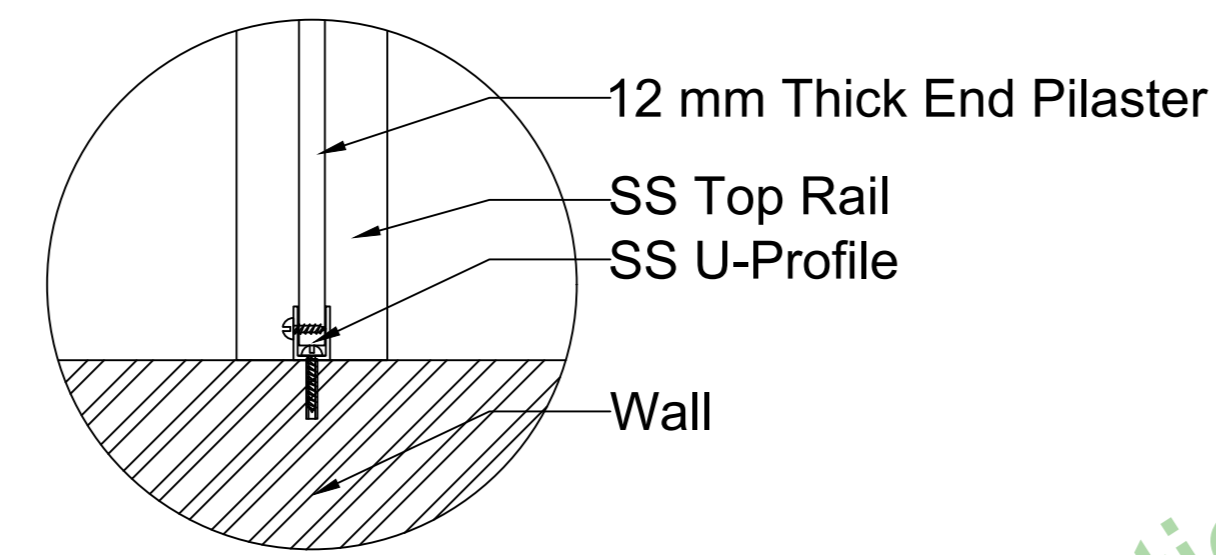


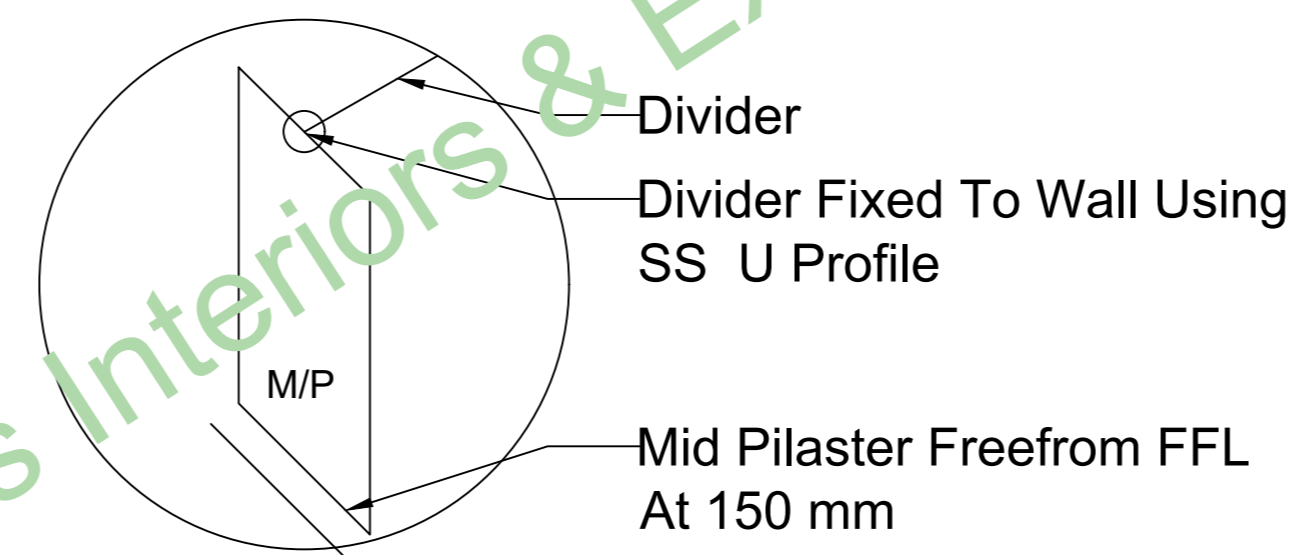
PLAN



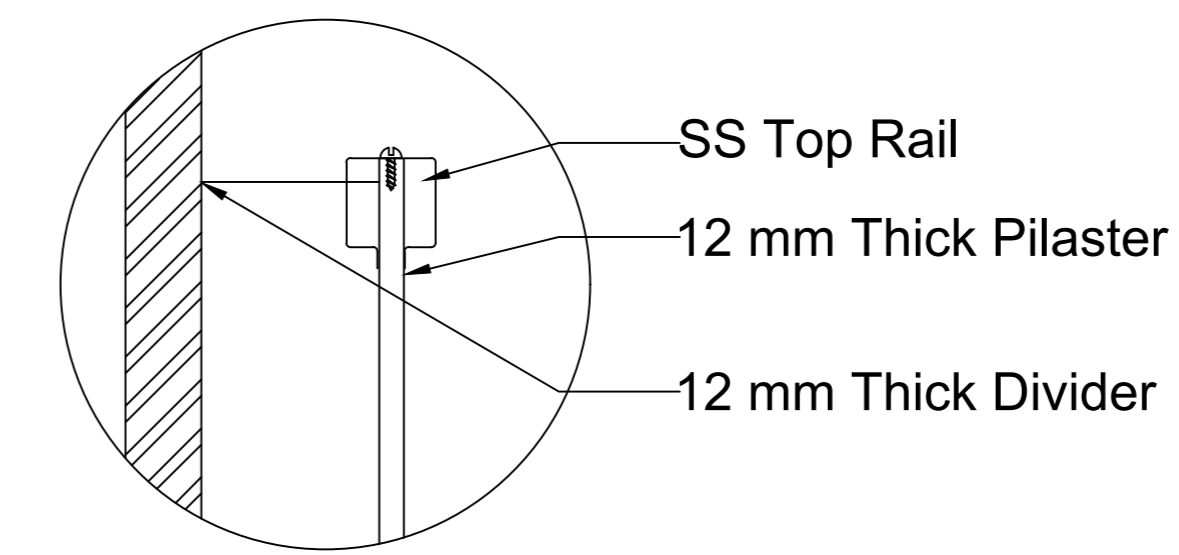
Blown up details at wall and divider Location



Blown up details at wall and divider Location

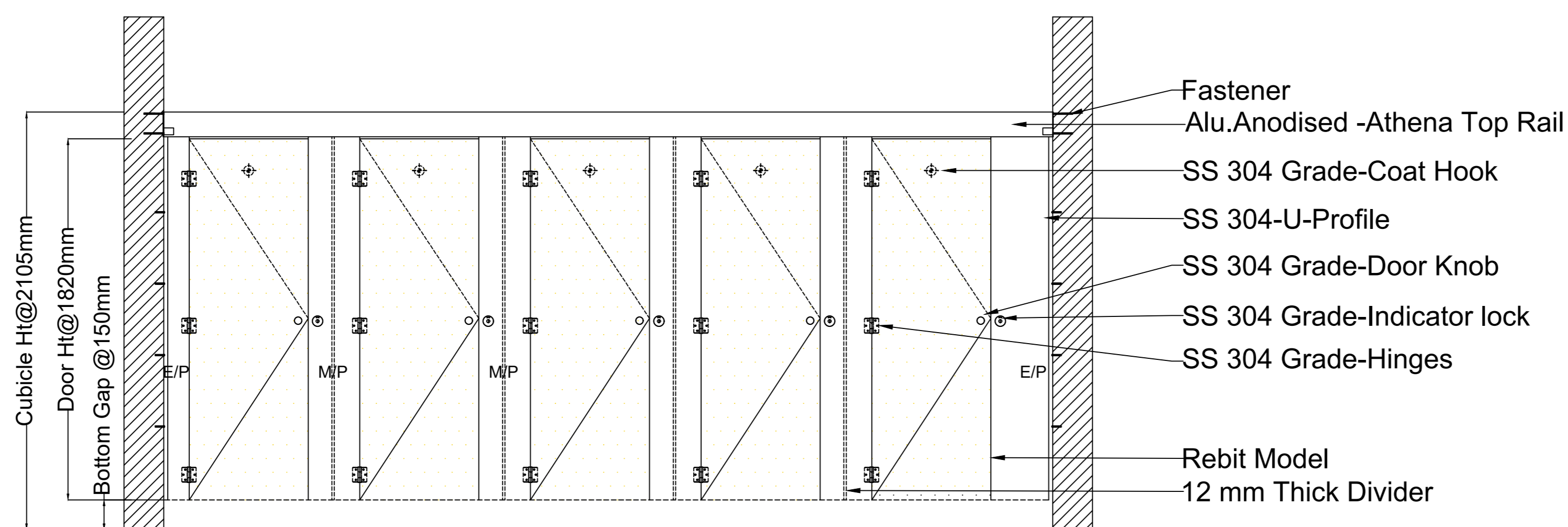


Blown up details at leg & pilaster

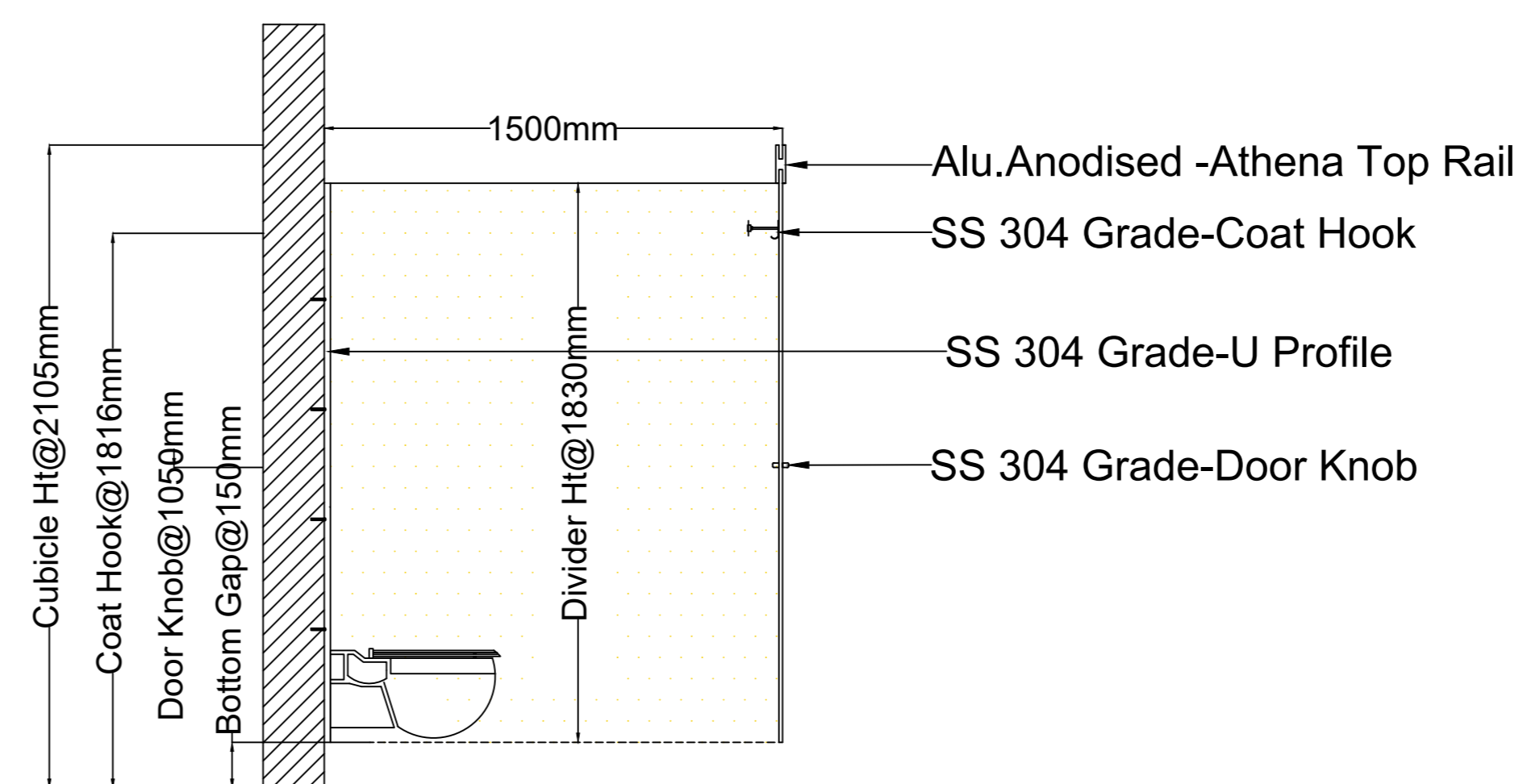


Blown up details at top rail with end, mid pilaster

BLOWN UP DETAILS



ELEVATION

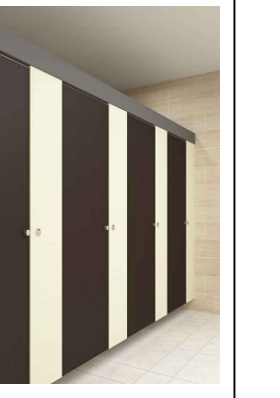


SECTION

- Approved
- Approved As Noted
- Revised & Resubmit
- Information

Floor Details:  
Ground Floor

Title:  
Prominence Series



Note: -  
Total No.s Of Cubicles- 06

Sr	Accessories	Material
1.	Panel	12 mm Thick
2.	Divider	12 mm Thick
3.	Profiles	SS 304 Grade
4.	Coat Hook	SS 304 Grade
5.	Hinges	SS 304 Grade
6.	Door Knob	SS 304 Grade
7.	Indicator Lock	SS 304 Grade
8.	Boxup Plate	SS 316 Grade

Laminate:

Client:

Project:

	NAME	SIGN
VISIT	Mr.	
DRAWN	Mr.NAGESH	
CHKD	Mr.N.RAO	

Released for approval of

- Shop Drawing
- Construction
- As Built

Super Creations Interiors & Exteriors Pvt Ltd



This is the sole property of Super Creations Interiors & Exteriors Pvt Ltd. it should not copied & changed without written approval

Note:- this drawing is intended only for the recipient not for the circulation