

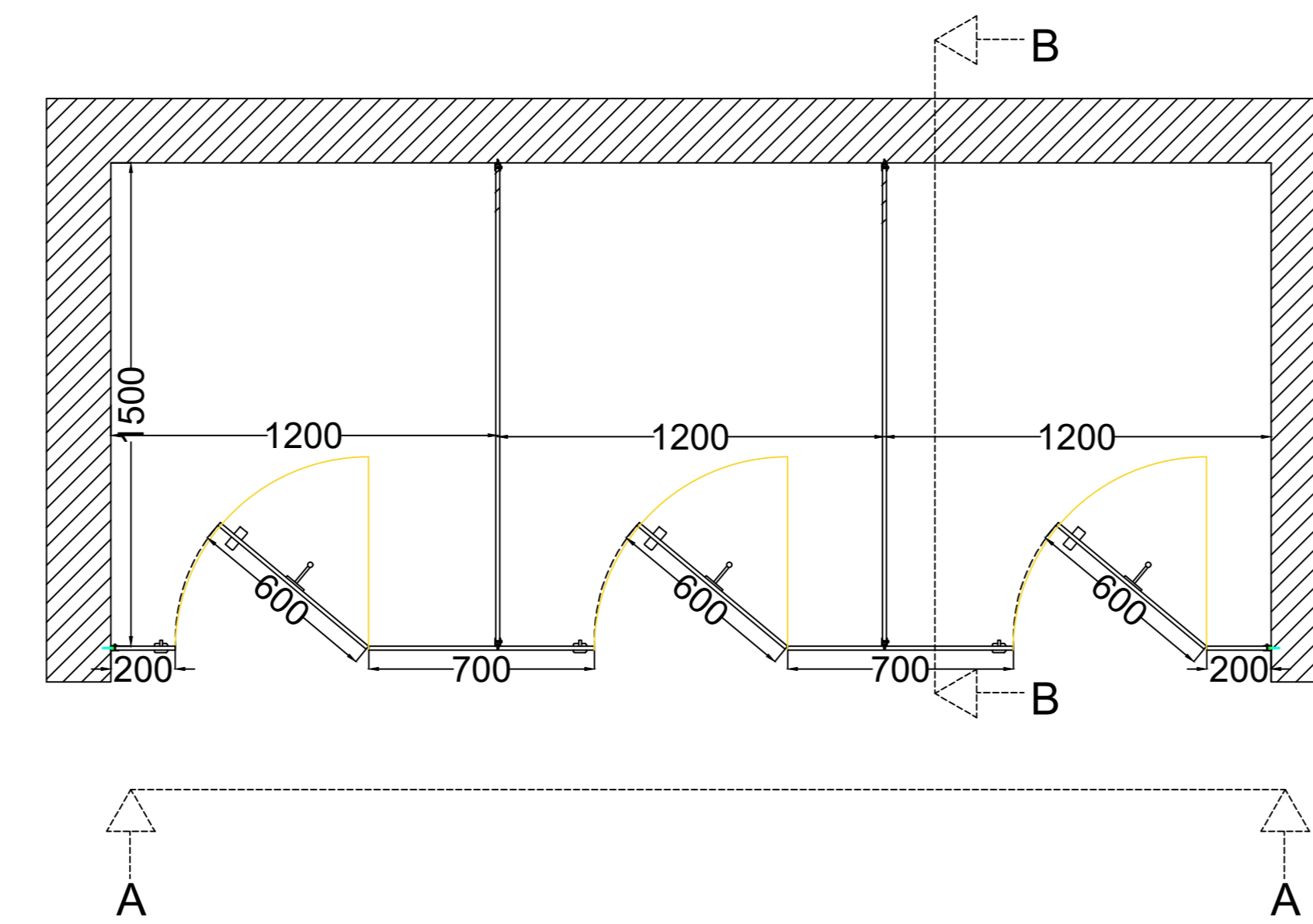
- Approved
- Approved As Noted
- Revised & Resubmit
- Information

Floor Details:  
Ground Floor

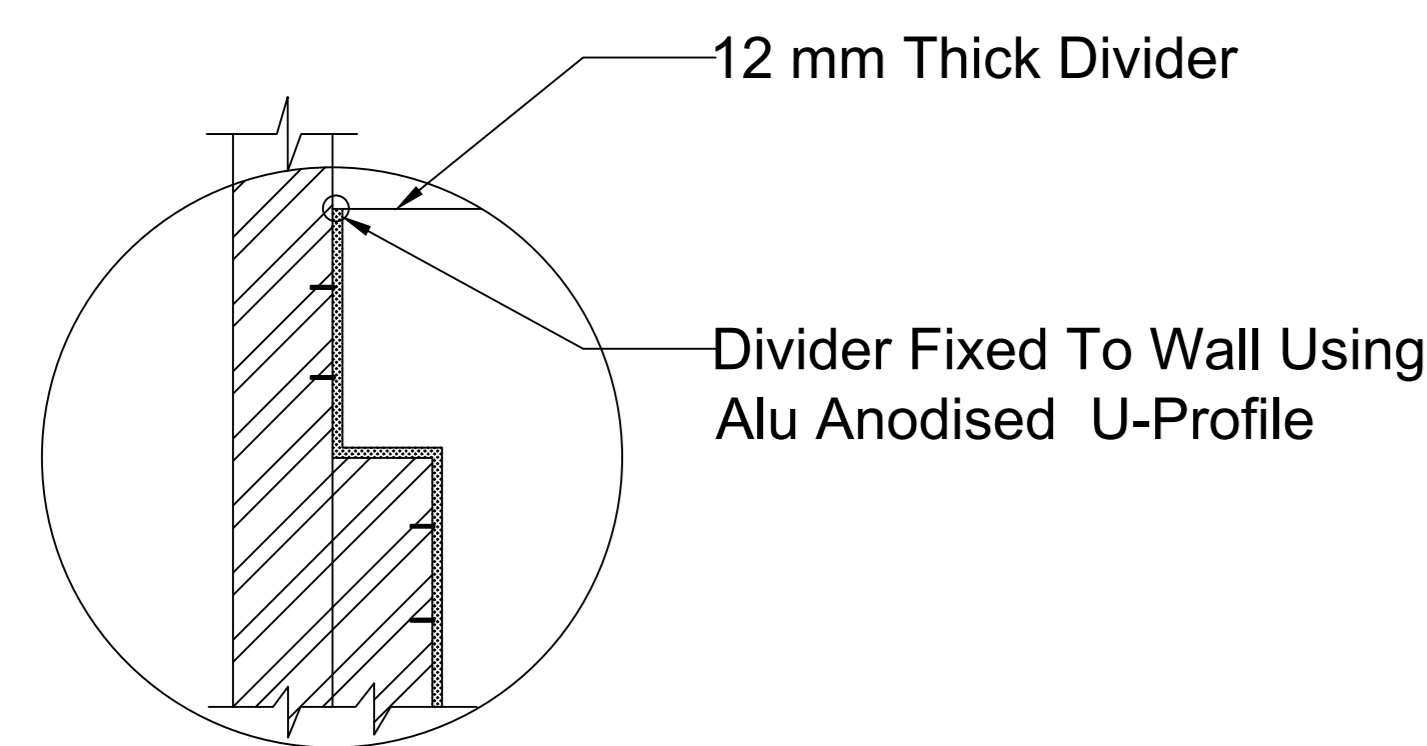
Title:  
Smart Boxup Series



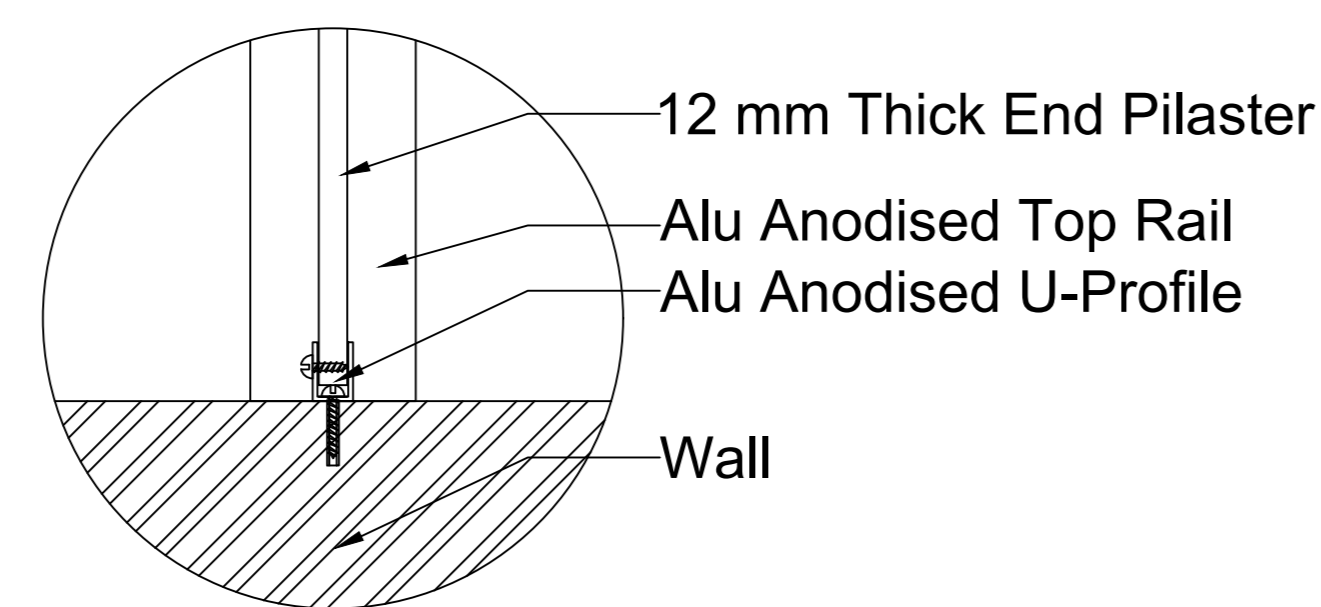
Note: -  
Total No.s Of Cubicles- 03



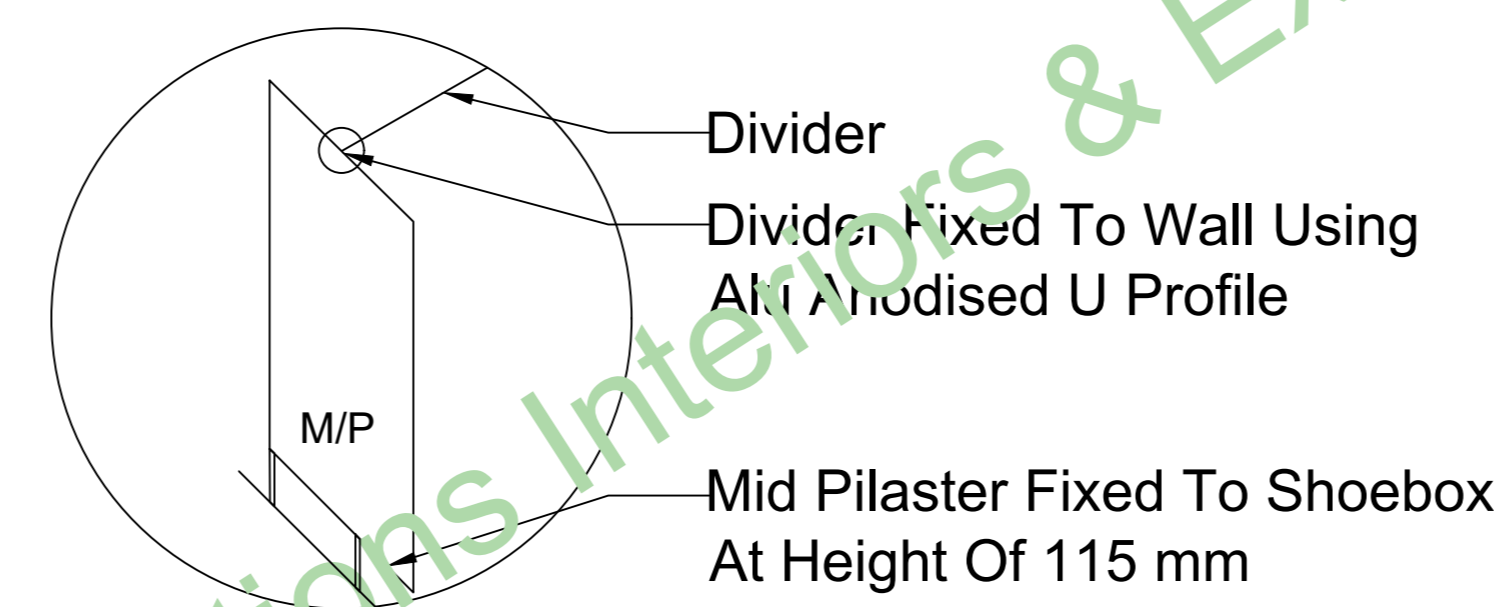
PLAN



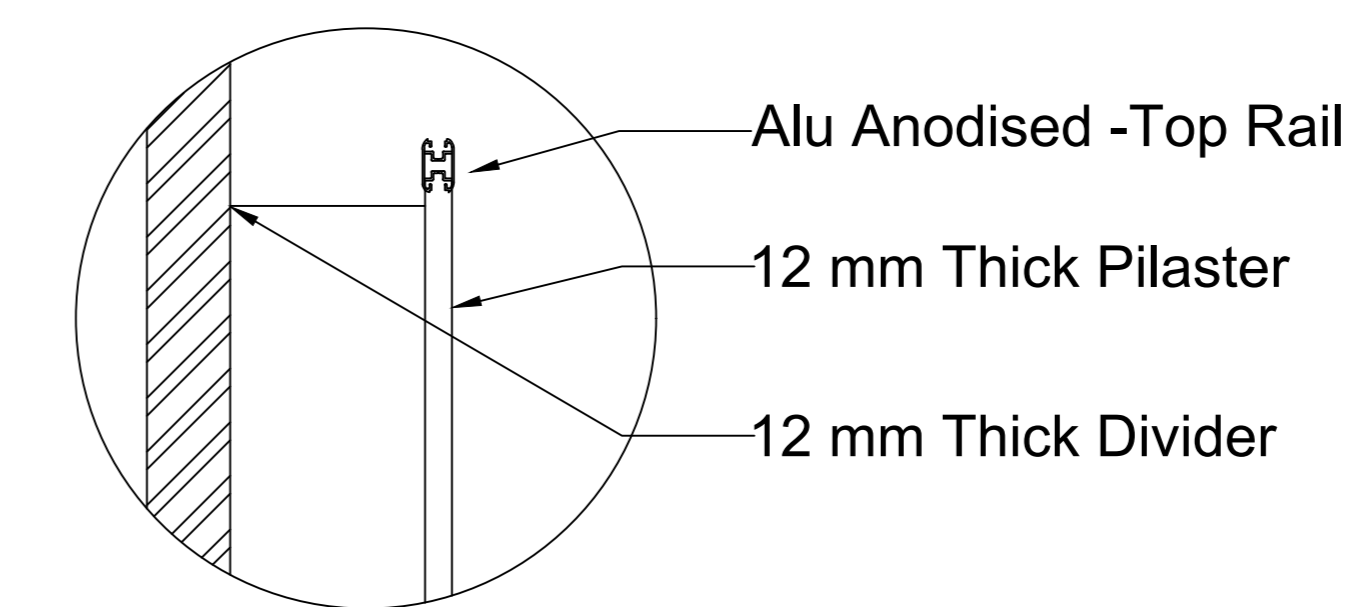
Blown up details at wall and divider Location



Blown up details at wall and divider Location



Blown up details at leg & pilaster



Blown up details at top rail with end, mid pilaster

BLOWN UP DETAILS

Sr	Accessories	Material
1.	Panel	12 mm Thick
2.	Divider	12 mm Thick
3.	Profiles	Alu. Anodised
4.	Coat Hook	SS 304
5.	Hinges	SS 304
6.	Door Knob	SS 304
7.	Indicator Lock	SS 304
8.	Shoebox	Alu. Anodised

Laminate:

Client:

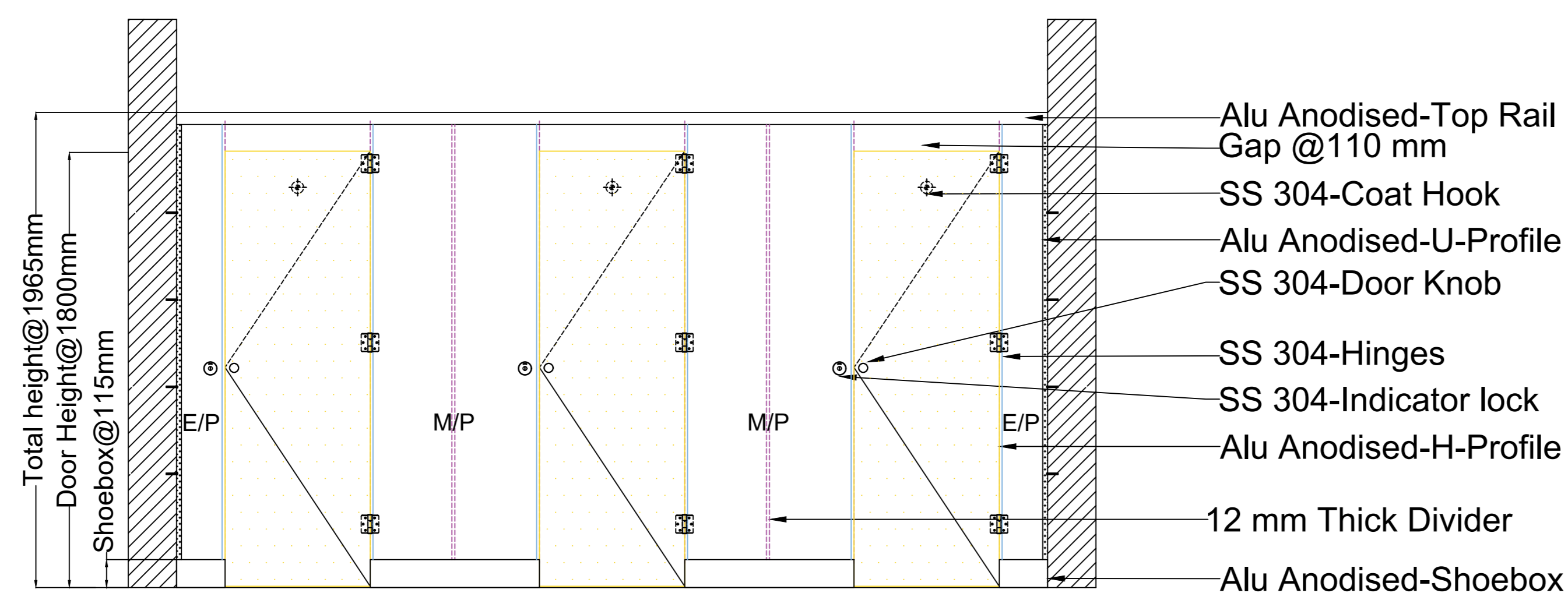
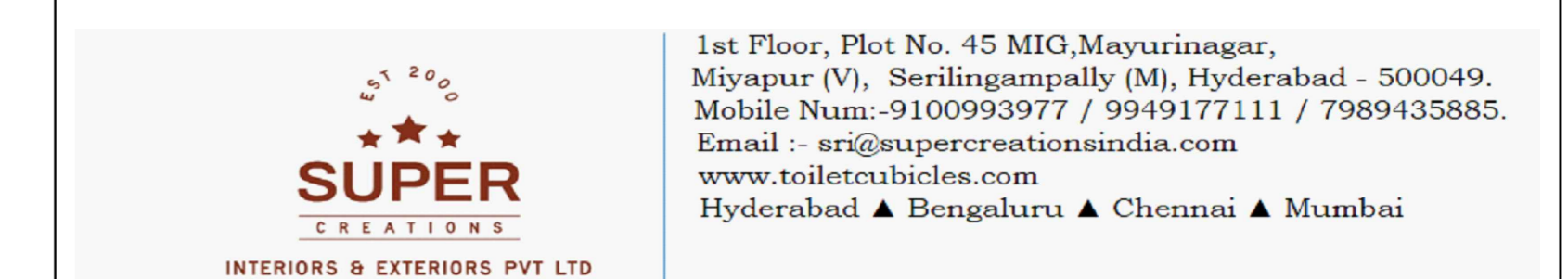
Project:

	NAME	SIGN
VISIT	Mr.DARANI	
DRAWN	Mr.NAGESH	
CHKD	Mr.N.RAO	

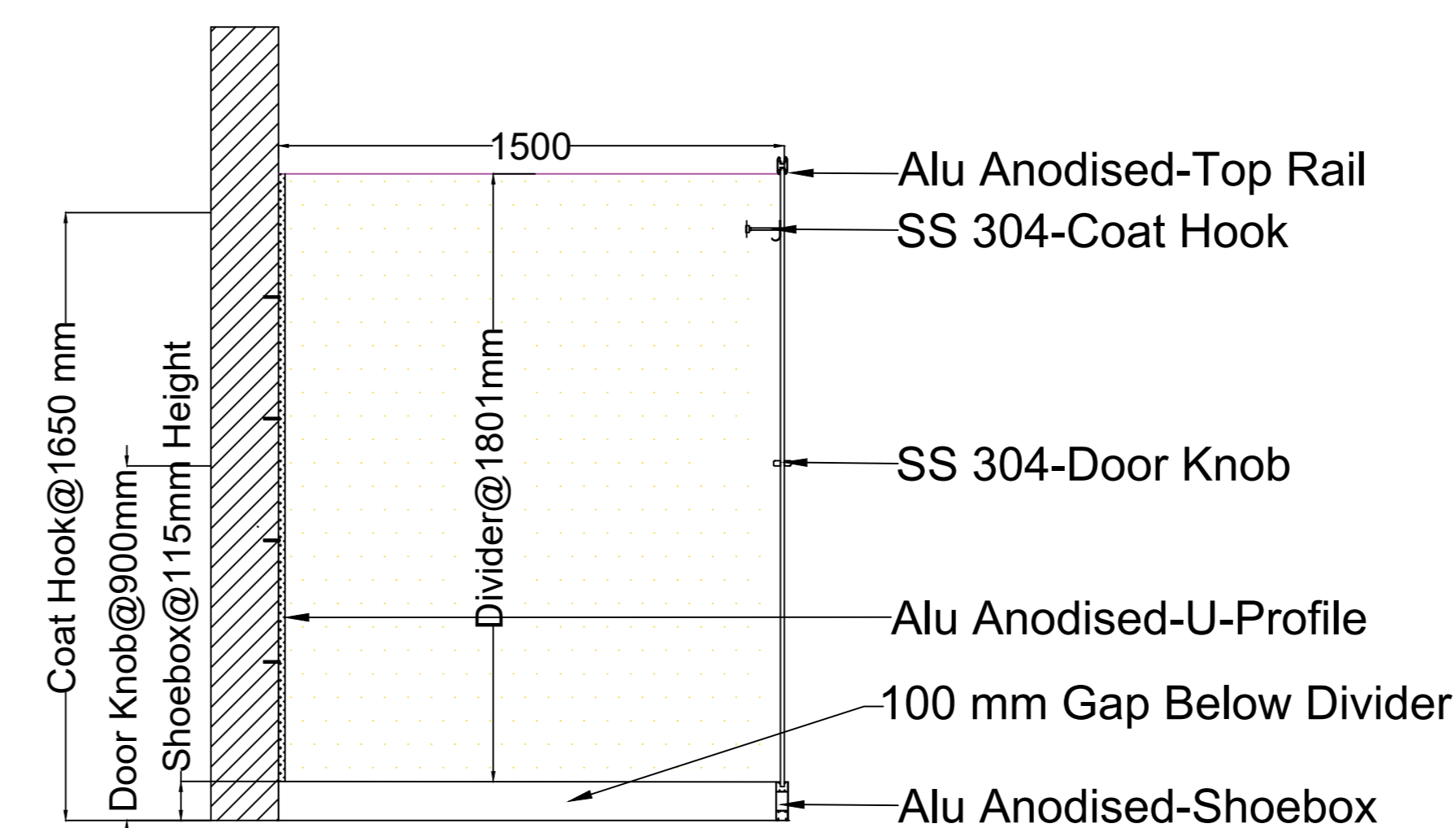
Released for approval of

- Shop Drawing
- Construction
- As Built

**Super Creations Interiors & Exteriors Pvt Ltd**



ELEVATION-AA



SECTION-BB

Note:- this drawing is intended only for the recipient not for the circulation

This is the sole property of Super Creations Interiors & Exteriors Pvt Ltd. it should not copied & changed without written approval