

- Approved
- Approved As Noted
- Revised & Resubmit
- Information

Floor Details:

Title:
Vogue Series

Note: –
Total No.s Of Cubicles– 04

| Sr | Accessories | Material |
|----|----------------|--------------|
| 1. | Panel | 12 mm Thick |
| 2. | Divider | 12 mm Thick |
| 3. | Profiles | SS 304 Grade |
| 4. | Coat Hook | SS 304 Grade |
| 5. | Hinges | SS 304 Grade |
| 6. | Door Knob | SS 304 Grade |
| 7. | Indicator Lock | SS 304 Grade |
| 8. | Leg | SS 316 Grade |
| 9. | Top Rail | Alu Anodised |

Laminate:

Client:

Project:

| | NAME | SIGN |
|-------|-----------|------|
| VISIT | Mr. | |
| DRAWN | Mr.NAGESH | |
| CHKD | Mr.N.RAO | |

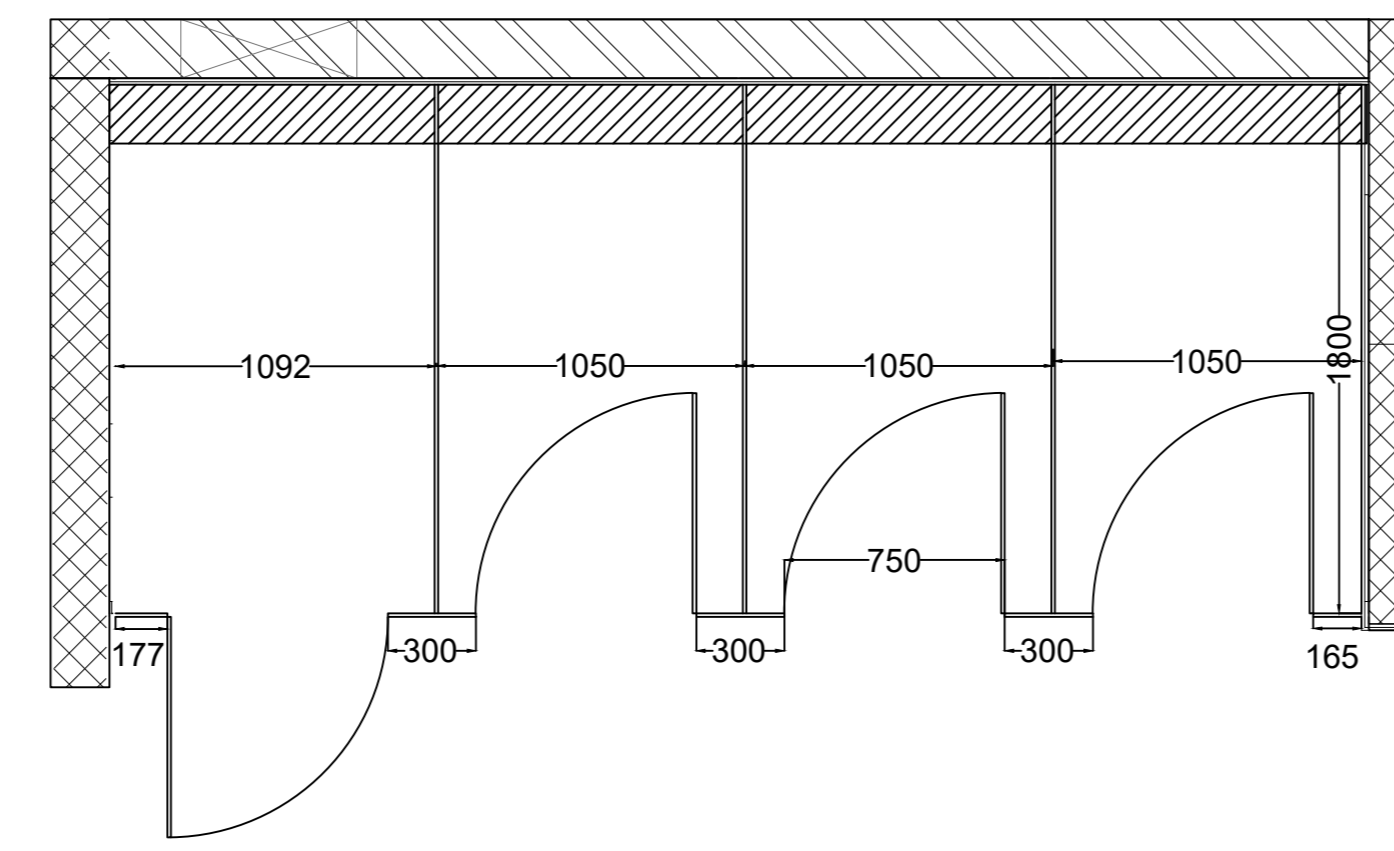
Released for approval of

- Shop Drawing
- Construction
- As Built

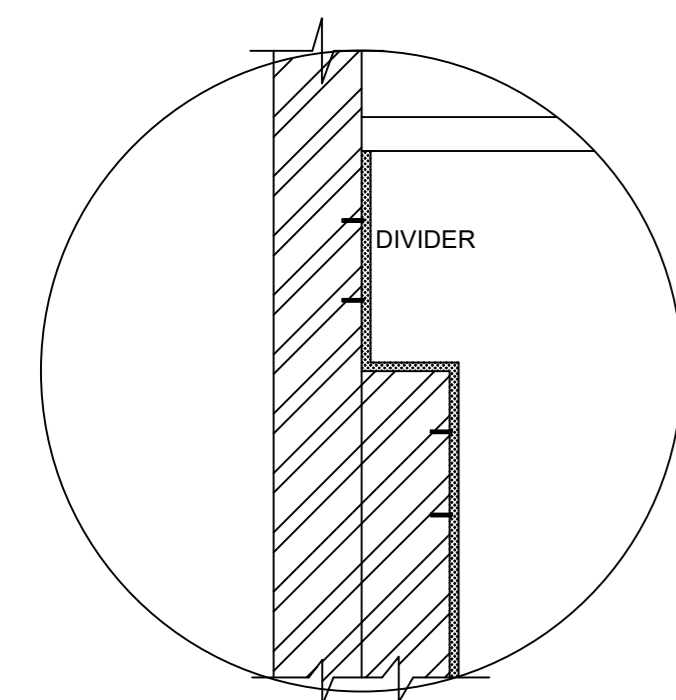
Super Creations Interiors & Exteriors Pvt Ltd



This is the sole property of Super Creations Interiors & Exteriors Pvt Ltd. it should not copied & changed without written approval

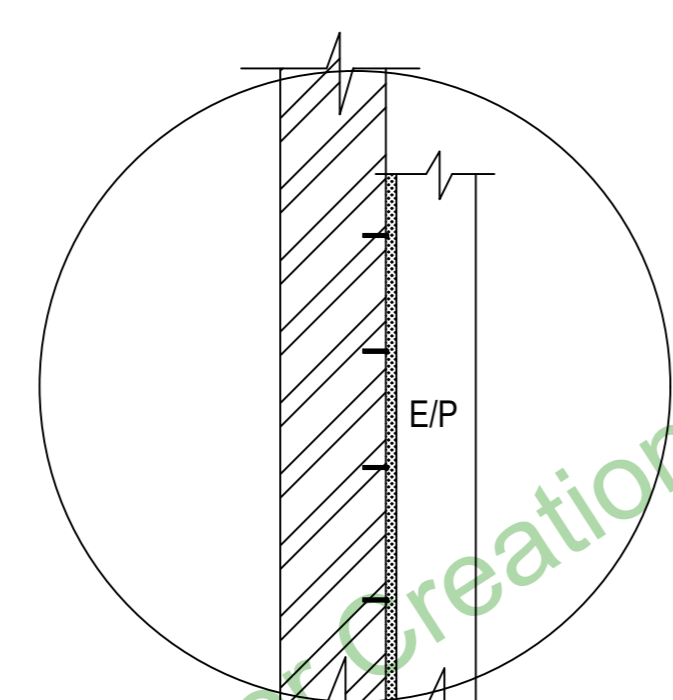


PLAN



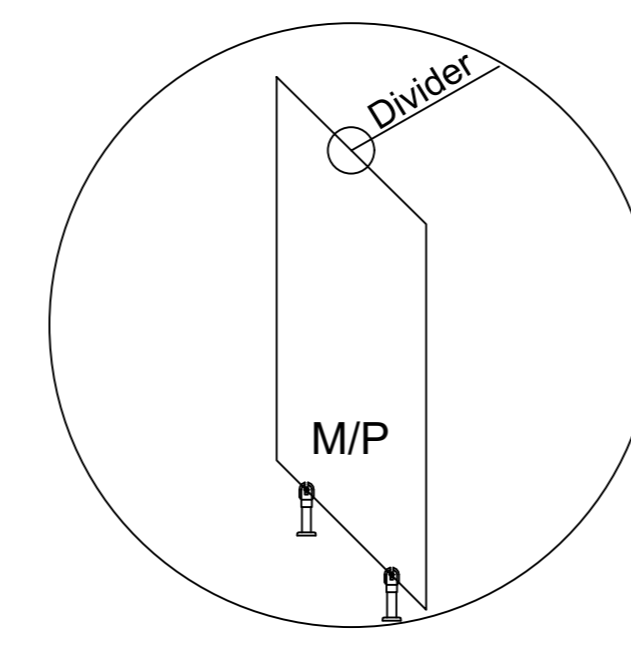
Aluminum Powder Coated H-Top Rail fixed over divider partition
Divider fixed to wall using Aluminum Powder Coated U-Channel

Blown up details at
A



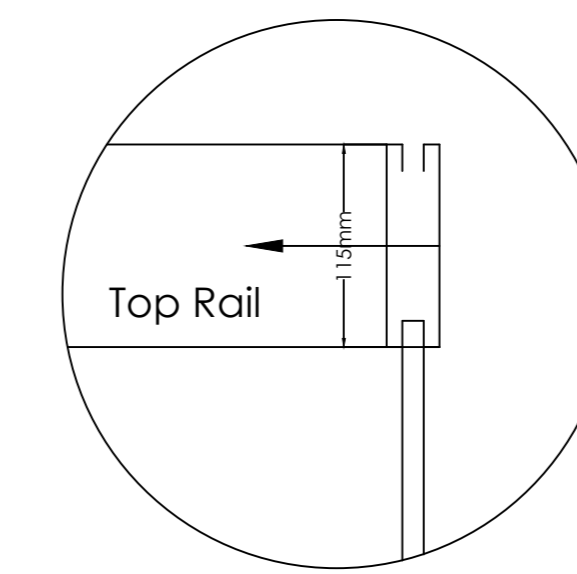
End Pilaster fixed to wall using aluminum powder coated U-Channel

Blown up details at B



Divider fixed to mid pilaster using aluminum powder coated U-profile
Mid pilaster fixed to Legs at an height of 150mm

Blown up details at C

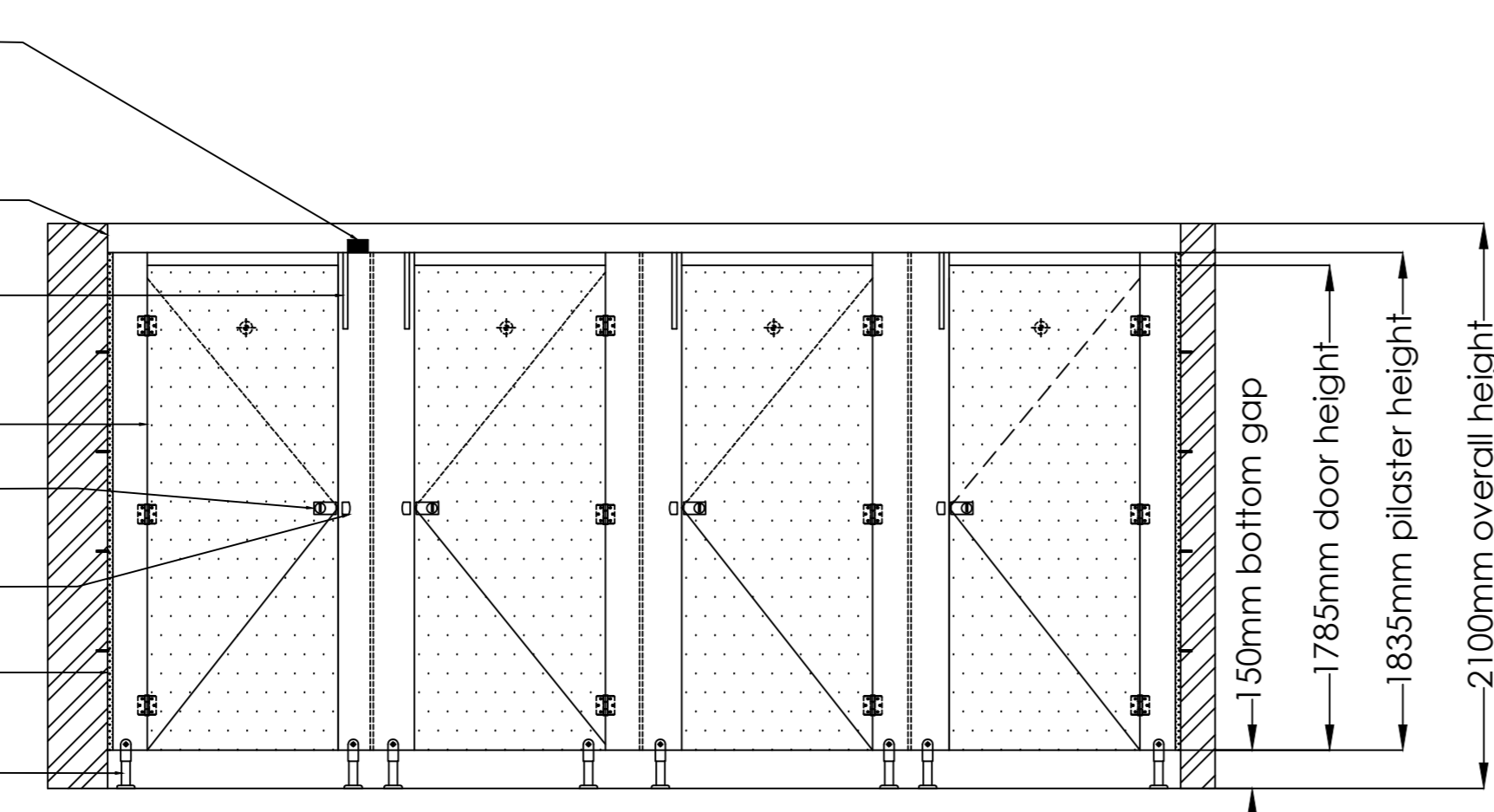


Top Rails fixed perpendicularly at divider & mid pilaster location

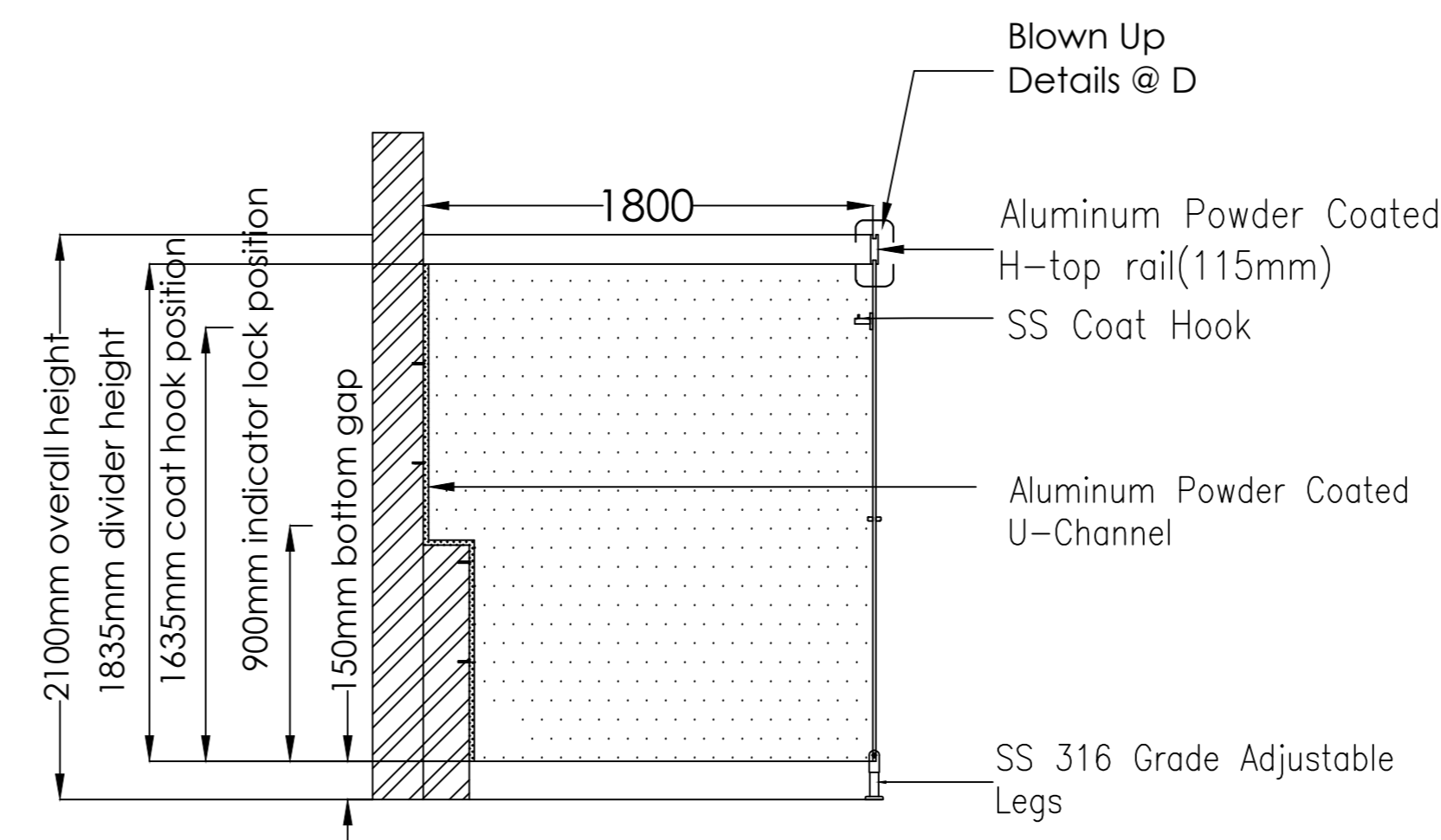
Blown up details at D

BLOWN UP DETAILS

- AC/DC Adaptor Access Will be Provided From Top of H-Section Top Rail
- Aluminum Powder Coated H-top rail(115mm)
- LED Light Indicator(18mm width X 300mm height)
- Aluminum Powder Coated H-Profile
- Door Knob With Turn
- Electronic Switch
- Aluminum Powder Coated U-Channel
- SS 316 Grade Adjustable Legs



ELEVATION



SECTION

Note:- this drawing is intended only for the recipient not for the circulation